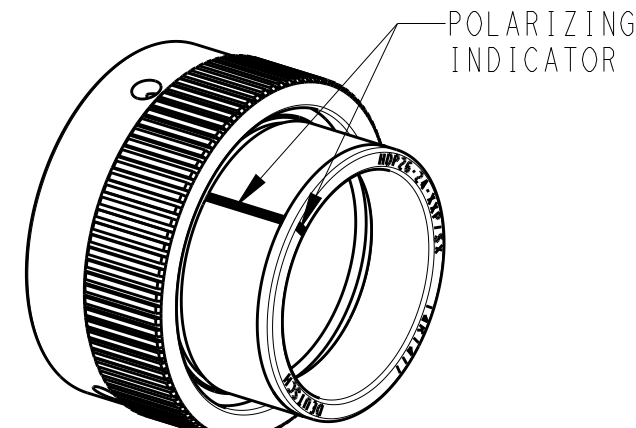
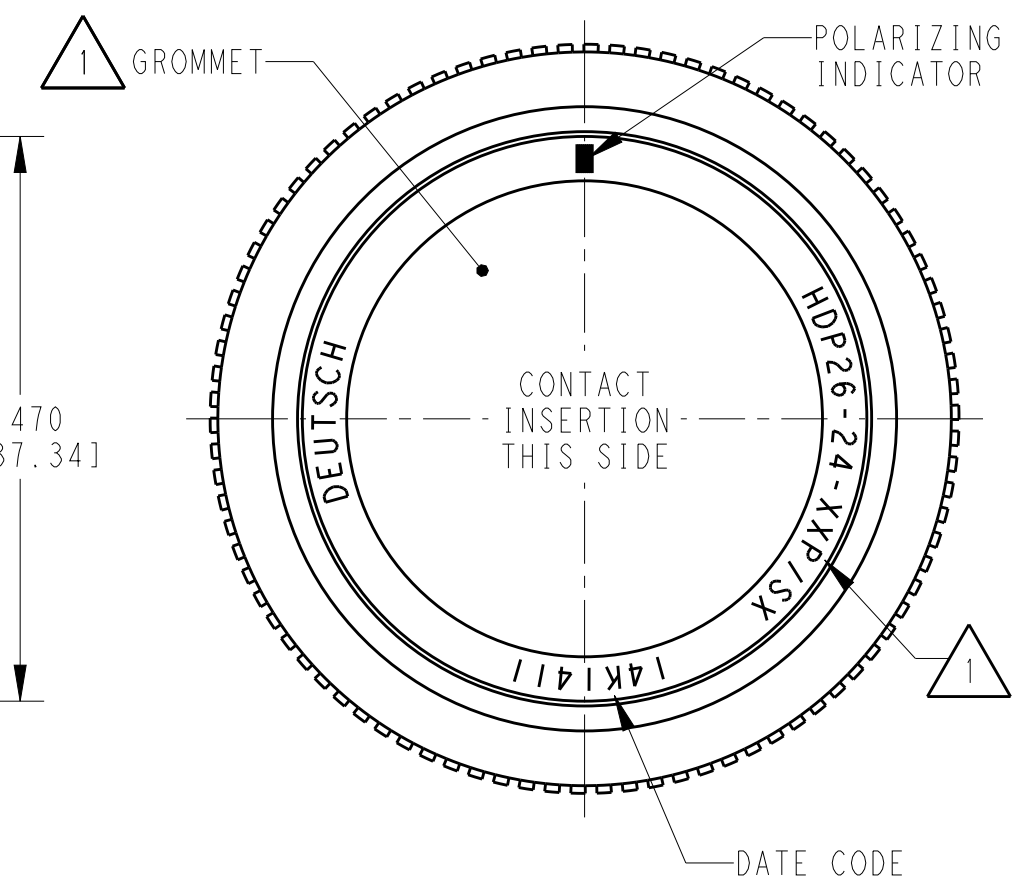
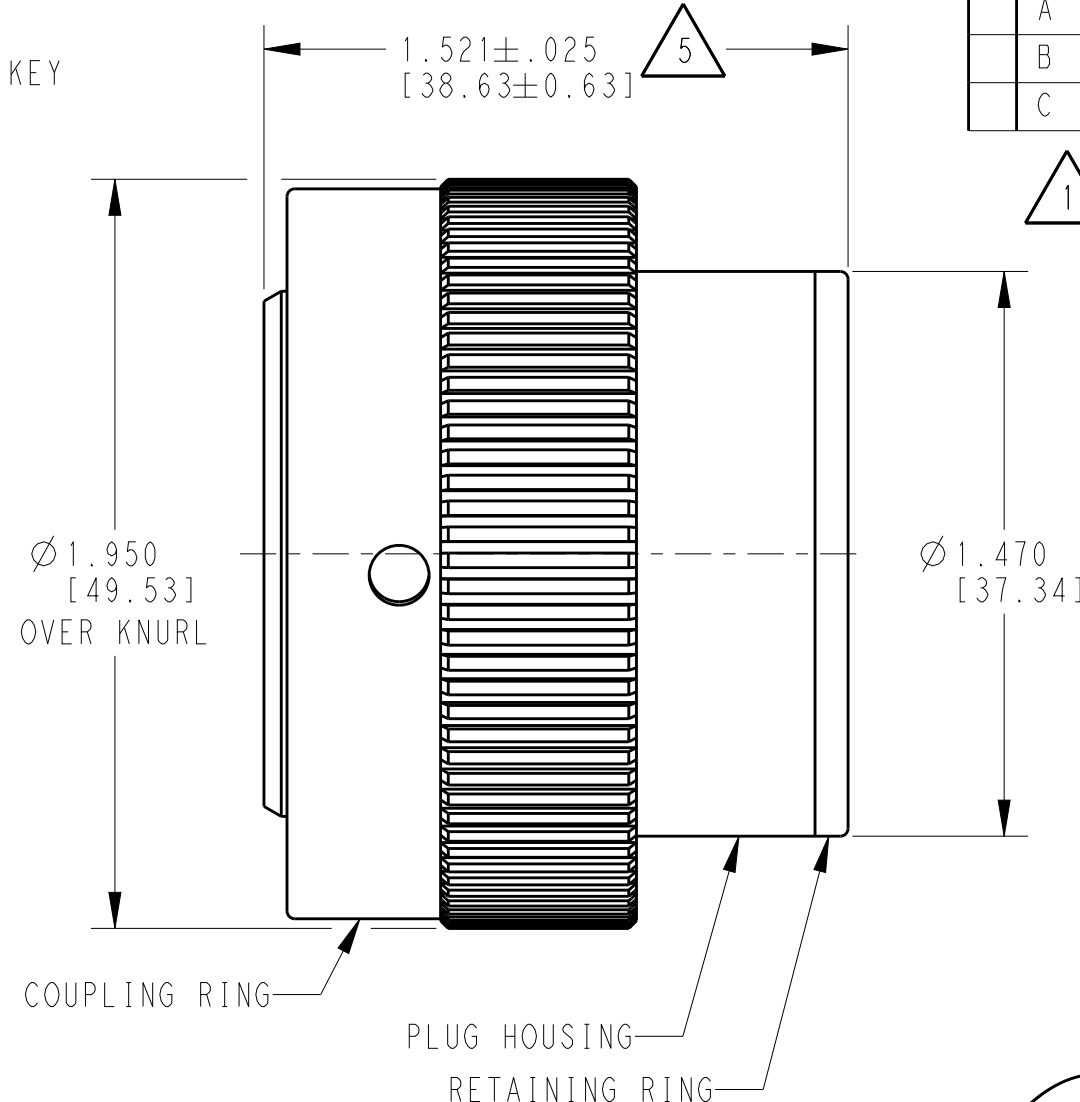
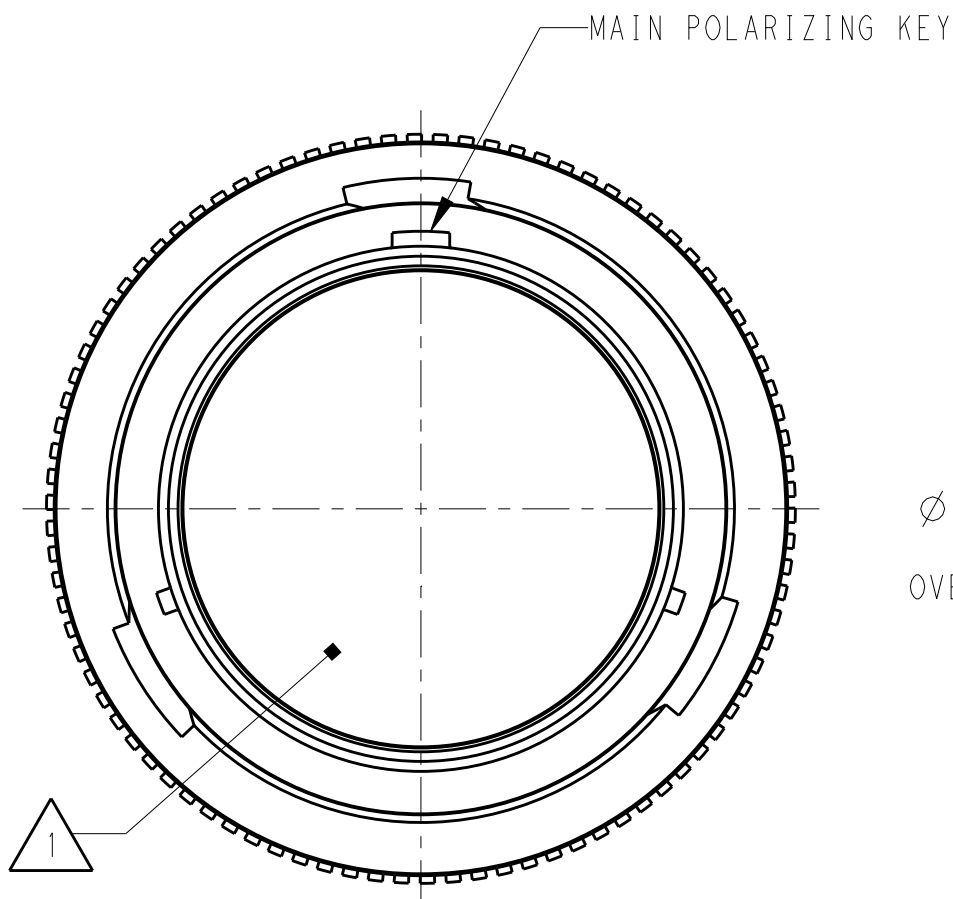


LOC	DIST	REVISIONS			
P	LTR	DESCRIPTION	DATE	DWN	APVD
		NC	NEW RELEASE PER E.O. P16572	07MAR2000	SB RDR
		A	REVISED PER E.O. P16875	29SEP2000	SB RDR
		B	REVISED PER E.O. P18119	15APR2003	AR RDR
		C	REVISED PER ECO-14-019072	23FEB2015	JA DM



SCALE 1:1

- △5 NOTED DIMENSION DOES NOT INCLUDE GROMMET PROTRUSION.
- △4 MATERIAL: PLUG HOUSING/COUPLING RING: PA66 GF10 (BLACK)
RETAINER RING: PA66 GF10 (GREEN, GRAY, BLUE)
GROMMET: SILICONE (ORANGE-RED)
- △3 SEE 0425-021-0000 APPLICATION SPECIFICATION
A. RECOMMENDED WIRE INSULATION RANGE
B. CONTACT REMOVAL TOOLS

2. THIS PLUG MATES WITH HDP24-24XXP/SX-XXXX RECEPTACLE
 X = SEAL TYPE (N,T,E)
 XX = INSERT ARRANGEMENT
 XXXX = MODIFICATION

△1 SEE CUSTOMER DRAWING 0425-014-2400 FOR AVAILABLE INSERT ARRANGEMENTS AND PART NUMBERS.

NOTES:

THIS DRAWING IS A CONTROLLED DOCUMENT.		DWN	06MAR2000	TE Connectivity	
		CHK	11APR2003		
		APVD	11APR2003		
		NAME	STEVE BEARD		
DIMENSIONS: INCHES [mm]		TOLERANCES UNLESS OTHERWISE SPECIFIED:		NAME PLUG, COUPLING RING SIZE 24 HDP SERIES	
		0 PLC ±		SIZE	
		1 PLC ±		A3	
		2 PLC ±		CAGE CODE	
		3 PLC ±		4AFU8	
		4 PLC ±		DRAWING NO	
		ANGLES ±		G-HDP26-24-XXP/SX	
		FINISH		RESTRICTED TO	
MATERIAL		N/A		-	
△4		WEIGHT		SCALE	
		Customer Drawing		2:1	
				SHEET 1 OF 1	
				REV C	